

(1) EU-TYPE EXAMINATION CERTIFICATE



- (2) Equipment and Protective Systems intended for use in Potentially Explosive Atmosphere - **Directive 2014/34/EU**
- (3) EU-Type Examination Certificate Number

TÜV 13 ATEX 7463X

Issue: 02

- (4) Equipment: Universal Explosion Proof LED Lighting
Type THT-2*A*d5**1102
- (5) Manufacturer: TOP HI-TECH CO.,LTD.
- (6) Address: 5F,NO.113,Zhongcheng Rd, Tucheng Dist,
New Taipei City 236, Taiwan (R.O.C)
- (7) This product and any acceptable variation thereto are specified in the schedule to this certificate and the documents therein referred to.
- (8) The TÜV Rheinland Zertifizierungsstelle für Explosionsschutz of TÜV Rheinland Industrie Service GmbH, Notified Body No. 0035 in accordance with Article 21 of the Council Directive 2014/34/EU of 26th February 2014, certifies this product which has been found to comply with the Essential Health and Safety Requirements relating to the design and construction of equipment and protective systems intended for use in potentially explosive atmosphere, given in Annex II to the Directive.

The examination and test results are recorded in the confidential report GC/Ex7463.02/13

- (9) Compliance with the Essential Health and Safety Requirements, with the exception of those listed in the schedule of this certificate, has been assessed by reference to:

EN 60079-0:2012/A11:2013

EN 60079-1:2014

EN 60079-31:2014

- (10) If the sign "X" is placed after the certificate number, it indicates that the equipment is subject to special conditions for safe use specified in the schedule to this certificate.
- (11) This EU-Type Examination Certificate relates only to the design and specification for construction of the equipment or protective system. It does not cover the process for actual manufacture or supply of the equipment or protective system, for which further requirements of the directive are applicable.
- (12) The marking of the equipment shall include the following:



II 2 G Ex db IIC T5 Gb
II 2 D Ex tb IIIC T95°C Db

TÜV Rheinland Zertifizierungsstelle für Explosionsschutz

Cologne, 2017-11-16

Dipl.-Ing. Klauspeter Graffi

This EU-Type Examination Certificate without signature and stamp shall not be valid.
This EU-Type Examination Certificate may be circulated only without alteration. Extracts or alterations are subject to approval by the TÜV Rheinland Industrie Service GmbH TÜV Rheinland Group Am Grauen Stein 51105 Köln
Tel. +49 (0) 221 806-0 Fax. + 49 (0) 221 806 114

(13) Annex

(14) **EU Type Examination Certificate**
TÜV 13 ATEX 7463X Issue: 02

(15) Description of equipment

15.1 Equipment and type:

Universal Explosion Proof LED Lighting type THT-2*A*d5**1102

15.2 Description / Details of Change

General product information

The lamp Universal Explosion Proof LED Lighting type THT-2*A*d5**1102 is designed according to the standard structure of the EN 60079-0, EN 60079-1 and EN 60079-31. The suitable hazardous areas are zone 1, zone 2, zone 21 and zone 22.

The enclosure of lamp is made by aluminum alloy (ADC12).

The method of lamp install included bracket fixed, pendant, stanchion 90°/25° and hanging etc.

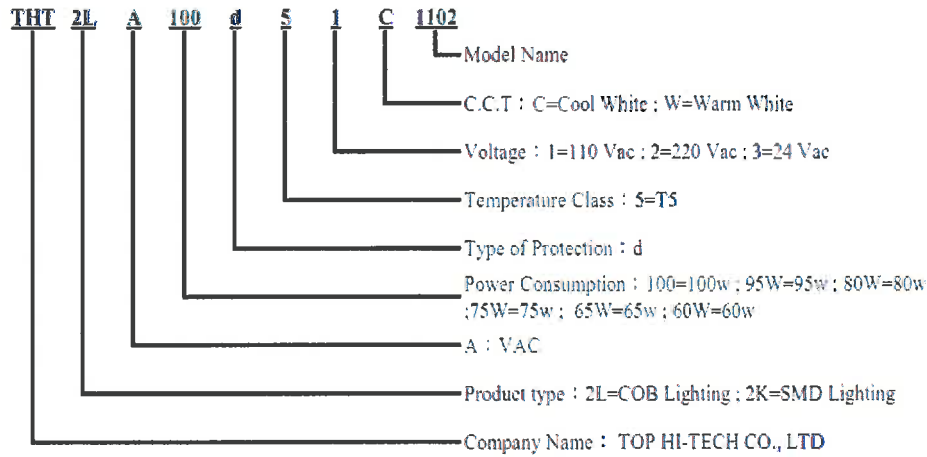
The external earthing of enclosure is considered.

Details of change:

- add the new SMD LED module as the light source
- add the Lamp power 95W,75W and 65W(only for SMD LED module).

This EU Type Examination Certificate without signature and official stamp shall not be valid.
This certificate may be circulated without alteration. Extracts or alterations are subject to approval by:
Zertifizierungsstelle of TÜV Rheinland Industrie Service GmbH

Type code:



Technical Data

Electrical data

For COB LED module:

Rated voltage	110VAC	THT-2LA*d51*1102
	220VAC	THT-2LA*d52*1102
	24VAC	THT-2LA*d53*1102

Rated power	60W	THT-2LA60Wd5**1102
	80W	THT-2LA80Wd5**1102
	100W	THT-2LA100d5**1102

For SMD LED module:

Rated voltage	110VAC	THT-2KA*d51*1102
	220VAC	THT-2KA*d52*1102

Rated power	65W	THT-2KA65Wd5**1102
	75W	THT-2KA75Wd5**1102
	95W	THT-2KA95Wd5**1102

Temperature class: T5/T95°C

(16) Test-Report No. GC/Ex7463.02/13

This EU Type Examination Certificate without signature and official stamp shall not be valid.
This certificate may be circulated without alteration. Extracts or alterations are subject to approval by:
Zertifizierungsstelle of TÜV Rheinland Industrie Service GmbH

(17) Special Conditions for safe use

1. The NPT3/4" cable gland will be installed by the end user before use, the chose cable gland shall be comply with the requirements of standards EN 60079-0, EN 60079-1 and EN 60079-31.
2. The power cable will be installed by end user and the end user can use the cable which is specified in the user manual only.
3. The end user must install external earthing wire according to user manual before use.

(18) Basic Safety and Health Requirements

Covered by afore mentioned standard

TÜV Rheinland Zertifizierungsstelle für Explosionsschutz

Cologne, 2017-11-16

Dipl.-Ing. Klauspeter Graff



This EU Type Examination Certificate without signature and official stamp shall not be valid.
This certificate may be circulated without alteration. Extracts or alterations are subject to approval by:
Zertifizierungsstelle of TÜV Rheinland Industrie Service GmbH